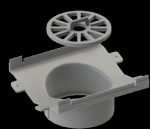


# LONG AS YOU LIKE CHANNEL KIT TILE INSERT (LAYL)

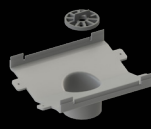
316 STAINLESS STEEL

- ✓ Channel - 316 Marine Grade Stainless Steel
- ✓ Outlet size - suits 100mm
- ✓ Brushed Stainless Steel
- ✓ 80mm and 50mm Outlet options available
- ✓ Fully DIY customizable length and outlet position

CODE	DESCRIPTION	FINISH	CTN QTY
71605.12	1200mm SS316 LAYL Kit Tile Insert	Brushed SS	each

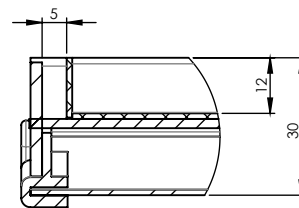


13993

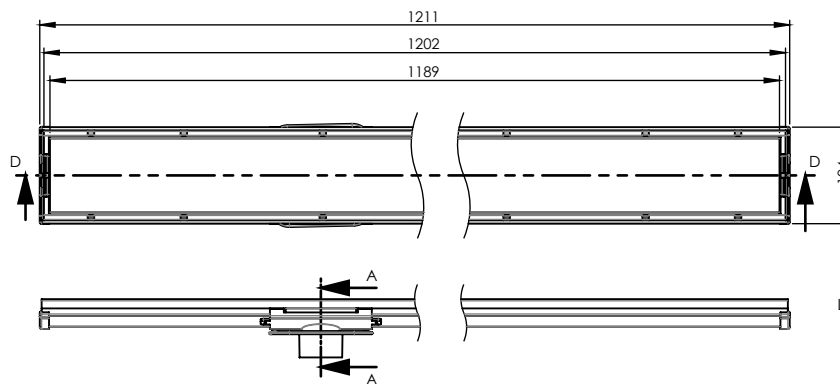


13994

- KIT CONTAINS:**
- 1 CHANNEL 1205mm (ITEM ①)
  - 2 CHANNEL END CAPS (ITEM ② & ③)
  - 1 TILE TRAY (ITEM ④)
  - 2 TILE TRAY CAPS (ITEM ⑧)
  - 9 TILE TRAY PLASTIC LEGS (ITEM ⑤)
  - 1 PLASTIC OUTLET (ITEM ⑥ & ⑦)
  - 1 PLASTIC STRAINER (ITEM ⑨)
  - 1 MX MEGAFLEX (ITEM ⑩)
  - 1 HOLE SAW
  - 1 DEBURRING TOOL
  - 4 SS POP RIVETS



DETAIL E  
SCALE 1 : 1



Drawing for Information only. See 3D CAD model for production data

