



KIT PARA INSERTAR PISO

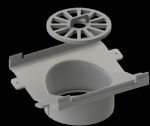
LONG AS YOU LIKE CHANNEL KIT TILE INSERT

(LAYL)

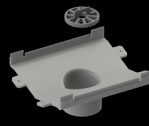
316 ACERO INOXIDABLE

- ✓ Canal - Acero inoxidable 316 de grado marino
- ✓ Tamaño de salida: se adapta a 100 mm
- ✓ Acero cepillado sin manchas
- ✓ 50mm Outlet
- ✓ Longitud y posición de salida totalmente personalizables

CODE	DESCRIPTION	FINISH	CTN QTY
71605.12	1200mm SS316 LAYL Kit Tile Insert	Brushed SS	each

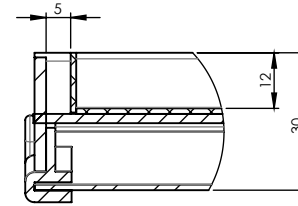


13993

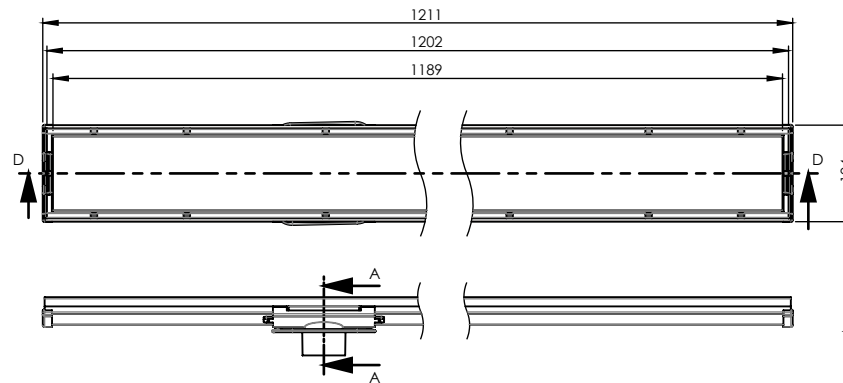


13994

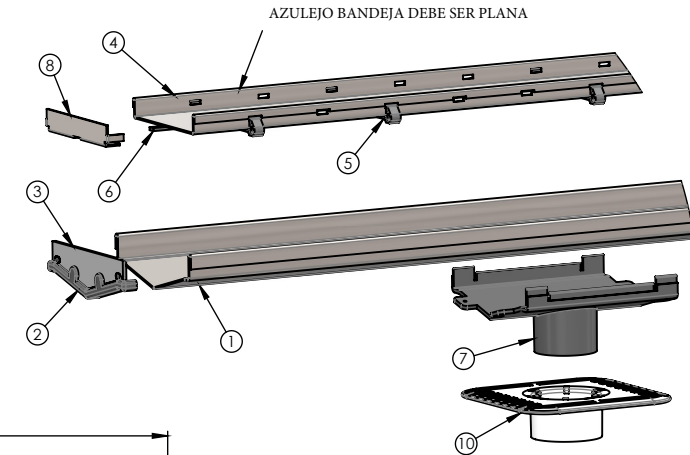
- KIT CONTAINS:**
- 1 CHANNEL 1205mm (ITEM ①)
 - 2 CHANNEL END CAPS (ITEM ② & ③)
 - 1 TILE TRAY (ITEM ④)
 - 2 TILE TRAY CAPS (ITEM ⑧)
 - 9 TILE TRAY PLASTIC LEGS (ITEM ⑤)
 - 1 PLASTIC OUTLET (ITEM ⑥ & ⑦)
 - 1 PLASTIC STRAINER (ITEM ⑨)
 - 1 MX MEGAFLEX (ITEM ⑩)
 - 1 HOLE SAW
 - 1 DEBURRING TOOL
 - 4 SS POP RIVETS



DETAIL E
SCALE 1 : 1



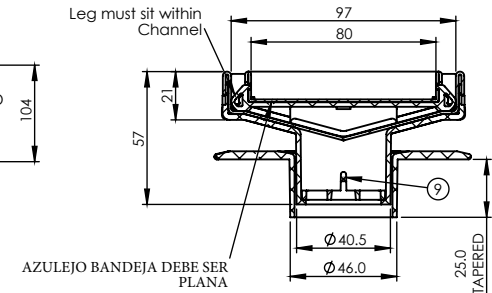
Drawing for Information only. See 3D CAD model for production data



AZULEJO BANDEJA DEBE SER PLANA

Leg must sit within Channel

AZULEJO BANDEJA DEBE SER PLANA



BOUNTYBRASSWARE
Designer Bathroom Fittings

Phone: +52-662-215-8103
Email: info@bountybrassware.mx
www.bountybrassware.mx

