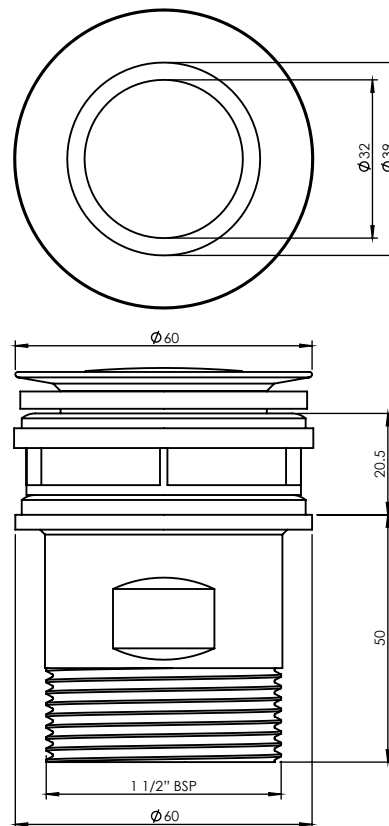


BRASS POP DOWN[®] 40mm CONNECTION

PLUG & WASTES

- ✓ Suits basins with 32mm or 40mm outlet with or without overflow
- ✓ Innovative quick remove cartridge
- ✓ Lifetime replacement guarantee on cartridge
- ✓ World Wide Patents Granted or Pending

CODE	OUTLET SIZE	FINISH	CTN QTY
71621.01	40mm	Chrome	32



Available Finishes



.01 Chrome

.03 Gold

.06 Brushed Nickel

.25 Matt Black



BOUNTYBRASSWARE
Designer Bathroom Fittings

Phone: +52-662-215-8103
Email: info@bountybrassware.mx
www.bountybrassware.mx





BOUNTYBRASSWARE
Designer Bathroom Fittings



The Pop Down® Sink Drain

WWW.BOUNTYBRASSWARE.MX

BBUX: Assembly & Dimensions

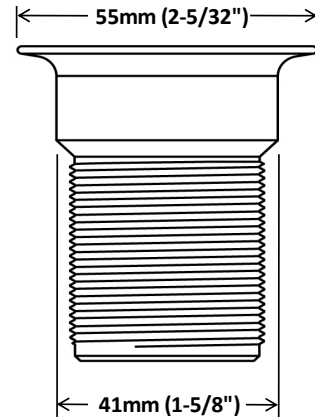
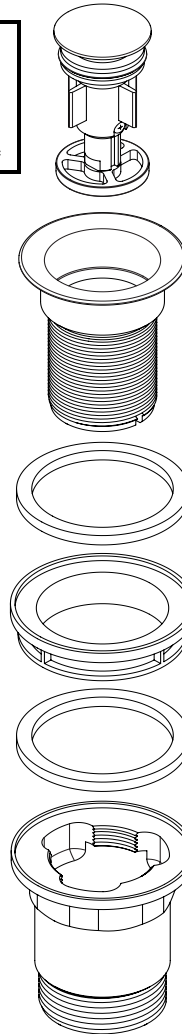
71621.##

Nominal dimensions, shown to nearest 1/16"

Drawings not to scale

PLEASE NOTE:

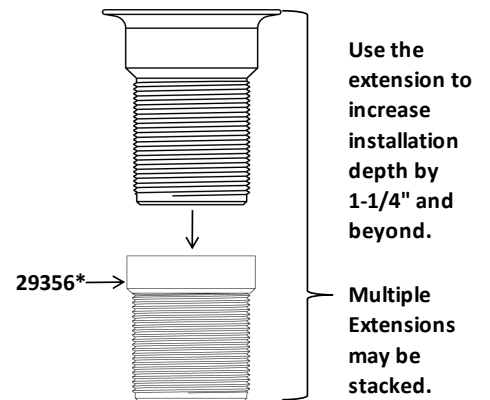
The Pop Down® installs on
sinks WITH or WITHOUT overflow
One drain will suit EITHER application
See overflow ports in exploded view for clarification*



Only install these two for thin-sink applications
(e.g. metal sinks or sink thickness $\leq 1/2'' \pm$)

***Over-flow Ports (3)**

Our Pop Down® Drain fits sinks
WITH or WITHOUT over-flow capability



Use the extension to increase installation depth by 1-1/4" and beyond.

Multiple Extensions may be stacked.

*Extension 29356 Sold Separately

U.S. Patent 9151027

REVISED: 26-Mar-21

©2023 BOUNTY BRASSWARE MEXICO

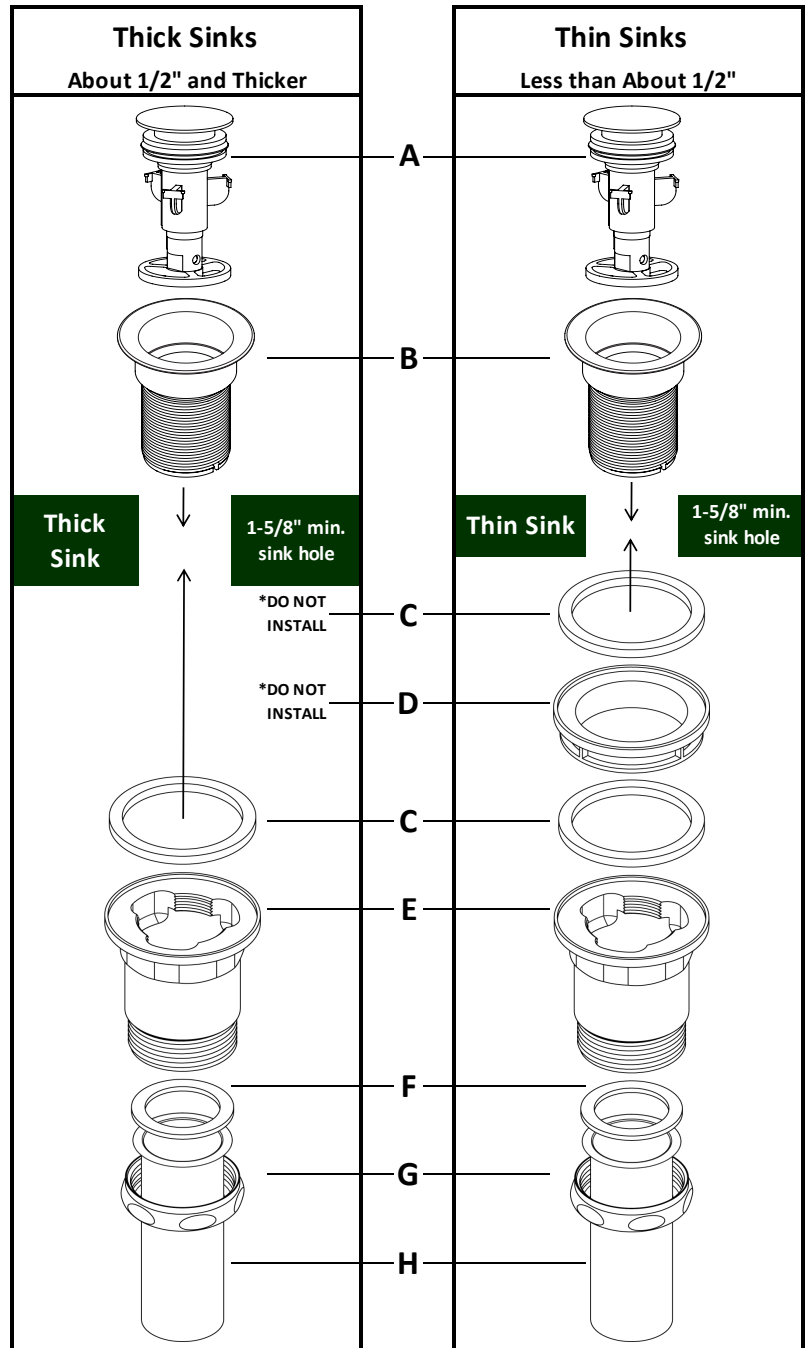


BBUX: Standard Installation

71621.##

Note: This waste fits sinks WITH or WITHOUT over-flow. This drain fits BOTH types of sinks.

- 1** Bounty Brassware Mexico recommends installation by a qualified plumber
- 2** Check that sink drain opening is 1-5/8" minimum diameter and that the flange sits neatly in sink drain recess
- 3** Apply non-staining sealant to underside of **FLANGE (B)** sufficient to contact and seal well
Neutral cure silicone sealant is also okay. WARNING: Oil-based Plumbers Putty may react with some finishes
- 4** Place **FLANGE (B)** with sealant into sink opening and check that flange/sink seal is good
- 5** **THICK SINKS:** Use only one **RUBBER WASHER (C)**
- THIN SINKS:** Use 2 **RUBBER WASHERS (C)** on either side of **SPACER (D)**, as shown. Be sure washers are seated correctly
- 6** Carefully screw **BODY (E)** on to **FLANGE (B)** from underside of sink. Make sure **RUBBER WASHER (C)** is correctly seated in the recess on top of lower body. Do not over-tighten. Use rubber-safe lubricant if needed.
****Installation Trick:** If the bottom of the sink is a very coarse/rough casting, apply a small bead of silicone to the top of the **RUBBER WASHER (C)** to seal sink manufacturer's voids and thus create an effective seal.
- 7** Attach **TAIL PIECE (H)** to **BODY (E)** with **NUT (G)** and **TAIL PIECE WASHER (F)** in order shown
- 8** **TAIL PIECE (H)** may need to be trimmed to suit balance of waste system. P-trap and drain accessories not included
- 9** Install **Cartridge (A)**. Drain is open when flush and closed when down



Drawings not to scale



U.S. Patent 9151027

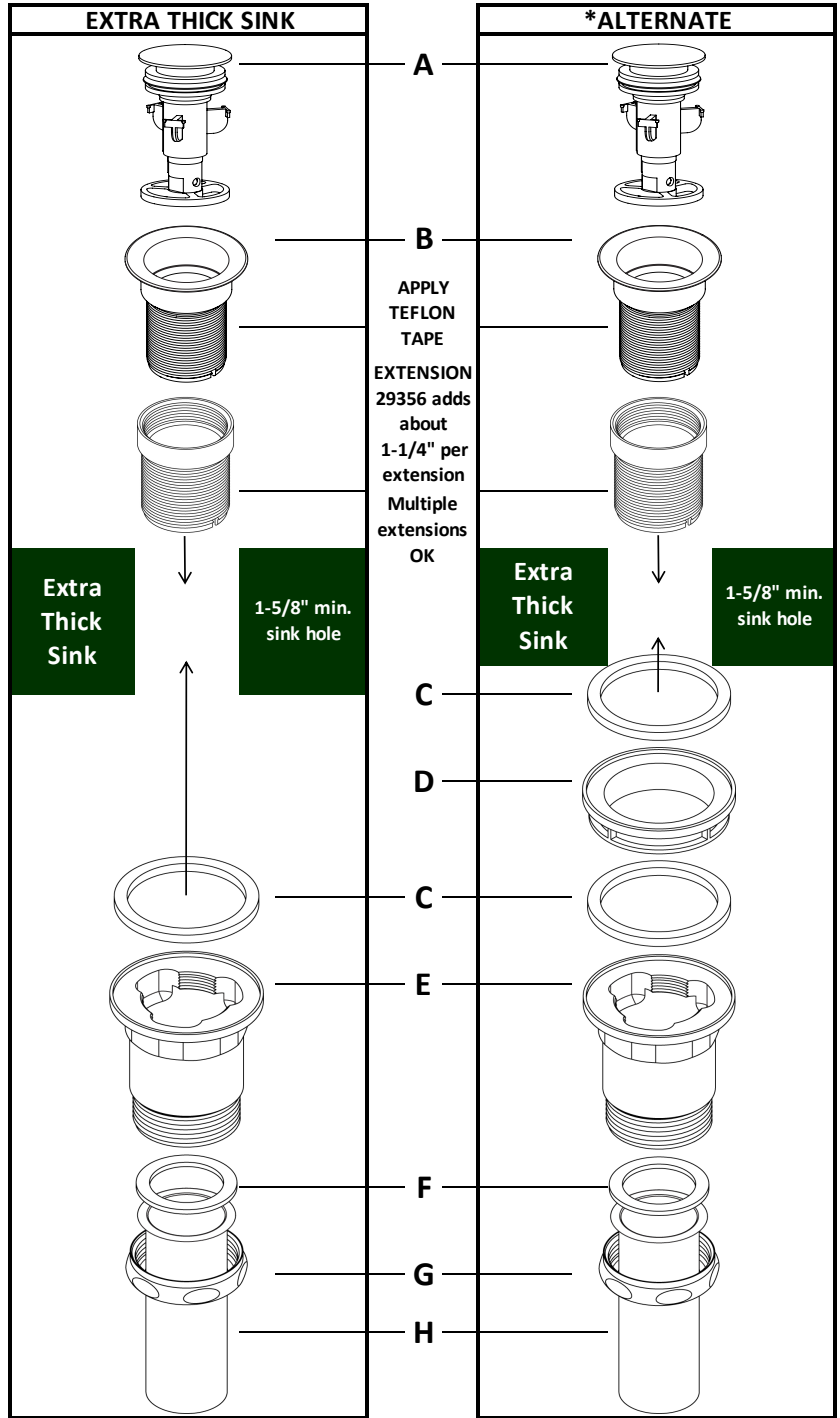
REVISED: 1-Mar-21



BBUX: Installation with accessory Extension 29356 for extra-thick sinks (only)

Stack our Extensions to suit virtually any sink thickness (sold separately)

- 1 Bounty Brassware Americas recommends installation by a Licensed Plumber
- 2 Check that sink drain opening is 1-5/8" minimum diameter and that the flange sits neatly in sink drain recess
- 3 Apply non-staining sealant to underside of FLANGE (B) sufficient to contact and seal well
Neutral cure silicone sealant is also okay. WARNING: Oil-based Plumbers Putty may react with some finishes
- 4 Place FLANGE (B) with sealant into sink opening and check that flange/sink seal is good
- 5 Use EXTENSION(s) 29356 to achieve virtually any sink depth. Apply Teflon thread tape to bottom of FLANGE (B) and screw in to top of EXTENSION. Your custom installation may require the use of RUBBER WASHER (C) and SPACER (D)
*See *ALTERNATE exploded view; far right column*
- 6 Carefully screw BODY (E) on to FLANGE (B) from underside of sink. Make sure RUBBER WASHER (C) is correctly seated in the recess on top of lower body. Do not over-tighten
****Installation Trick:** If the bottom of the sink is uneven or is a very coarse/rough casting, apply a small bead of silicone to the top of the RUBBER WASHER (C) to seal sink manufacturer's voids and thus create an effective seal
- 7 Attach TAIL PIECE (H) to BODY (E) with NUT (G) and TAIL PIECE WASHER (F) in order shown
- 8 TAIL PIECE (H) may need to be trimmed to suit balance of waste system. P-trap and drain accessories not included
- 9 Install Cartridge (A). Drain is open when flush and closed when down



Drawings not to scale